

TANCO AUTOWRAP SYSTEMS

400 & 500 Model (1993)

OPERATORS HANDBOOK

AND

PARTS LIST

WD62-M0793

2

22

22

2

OPERATING INSTRUCTION

500mm wide film rolls are used as standard on 200, 300 & 400 autowrap Models while 750mm wide film rolls are used as standard on 500 model. If however it is found necessary to use 500mm wide rolls along with 750mm film dispenser the following instructions must be adhered to: (NOTE: Failure to do so will result in inadequate wrapping and bale spoilage).

1. Fit film adaptor to top end of 500mm wide film roll as shown opposite (Fig. 1).
2. Shorten length of both brake cams by removing M10 x 30 Bolt Item 12. Slacken M10 x 30 Bolt Item 16, Adjust long brake cam Item 15 in direction shown, so that brake re-engages as sprocket leaves last cam follower. Then tighten M10 x 30 Bolt Item 16.
3. Reduce number of cam followers (Item 3) in each quadrant assembly (Item 2) to 7 off, ensuring that cam followers are removed from correct end of each quadrant assembly. See Fig.2.
4. Adjust height of film mast so that centre of film roll is in line with centre of bale on the turntable.
5. Adjust Bale Wrap indicator setting from 15 to 22 revolutions for 120cm x 120cm bales. (See page 6 for guide to Bale Wrap indicator settings)

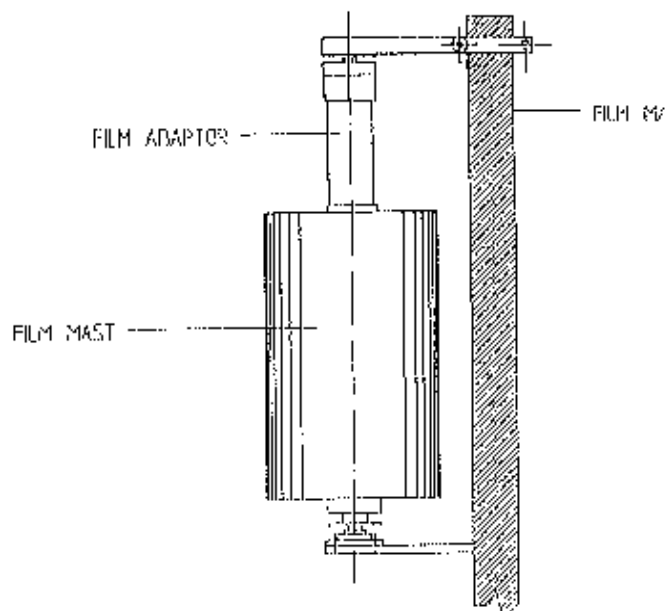


Fig. 1

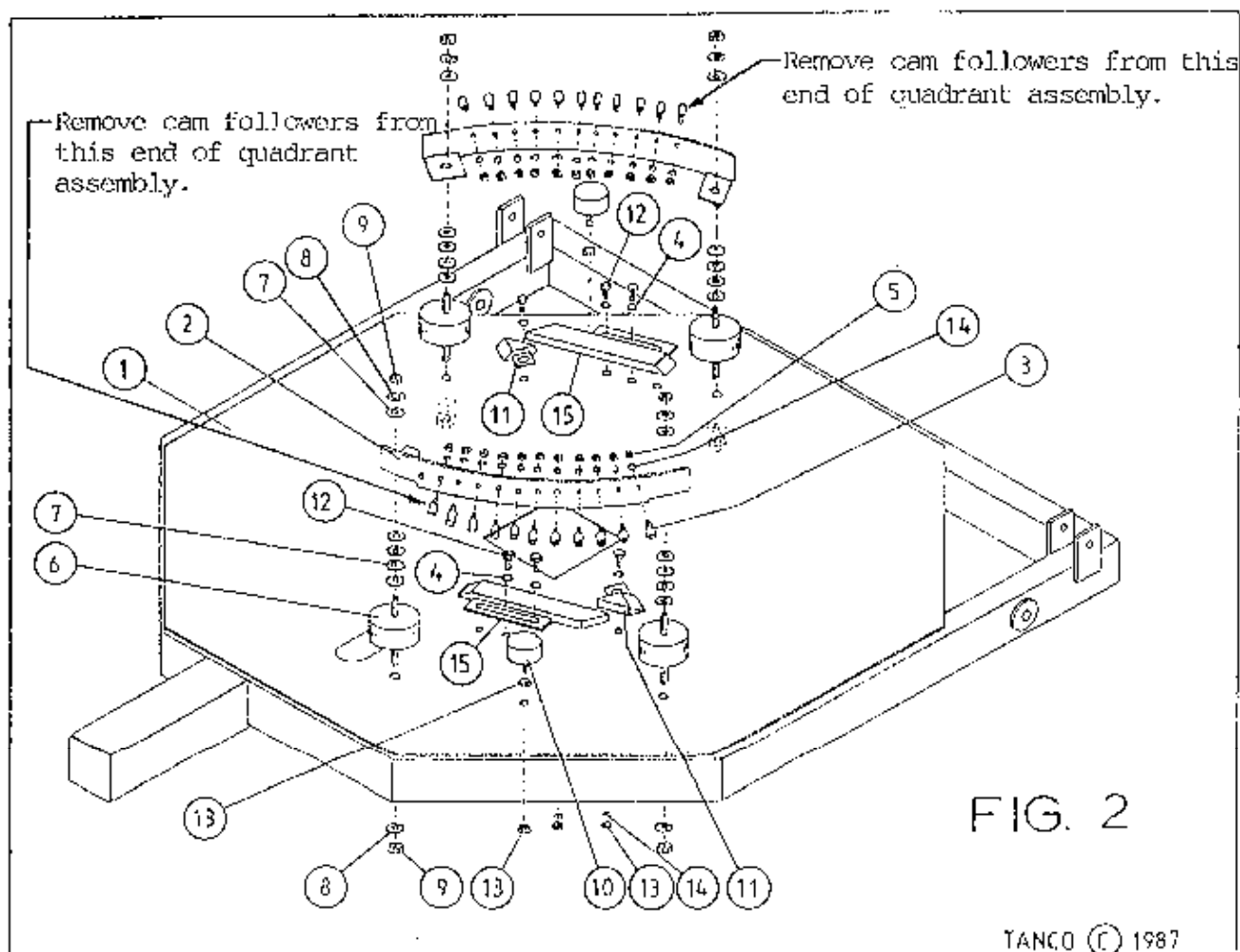
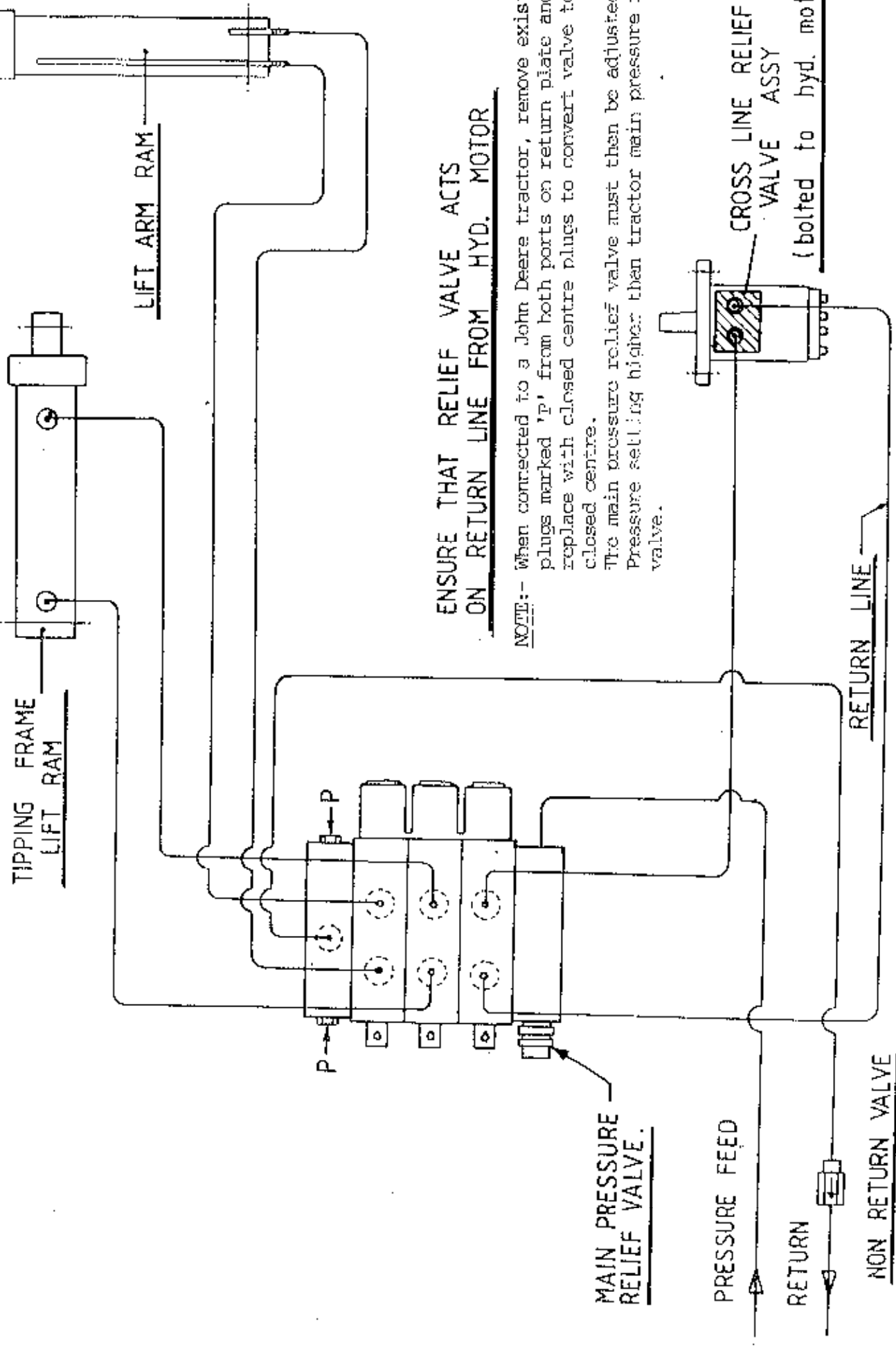


FIG. 2

TANCO AUTOWRAP

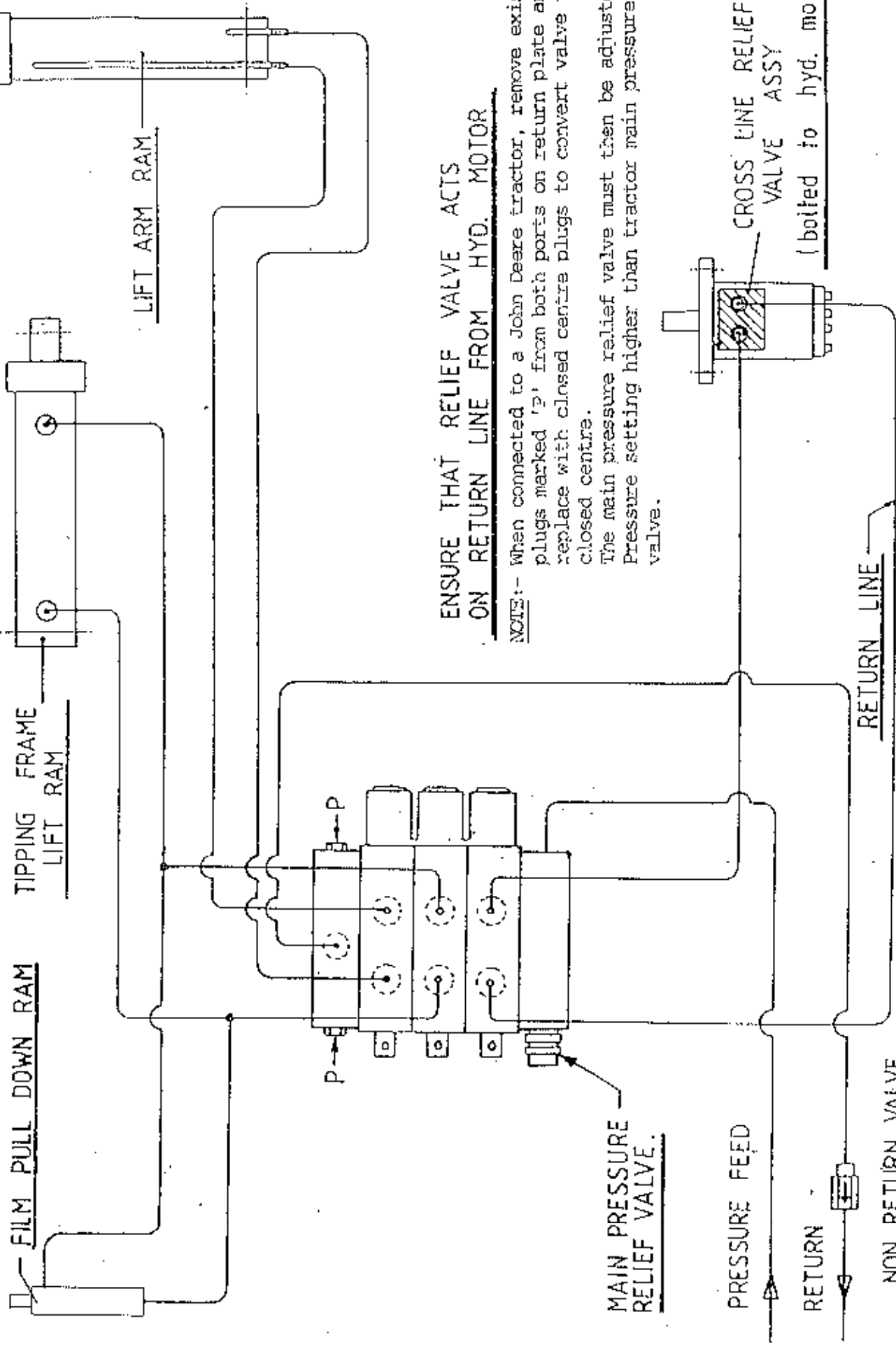
400 MODEL (TRAILED) HYD. CIRCUIT (DIN) (1993)



ENSURE THAT RELIEF VALVE ACTS ON RETURN LINE FROM HYD. MOTOR

NOTE:- When connected to a John Deere tractor, remove existing plugs marked 'P' from both ports on return plate and replace with closed centre plugs to convert valve to closed centre.
The main pressure relief valve must then be adjusted to a Pressure setting higher than tractor main pressure relief valve.

TANCO AUTOWRAP 500 & 1050 MODEL (TRAILED) HYD. CIRCUIT (DIN) (1993)



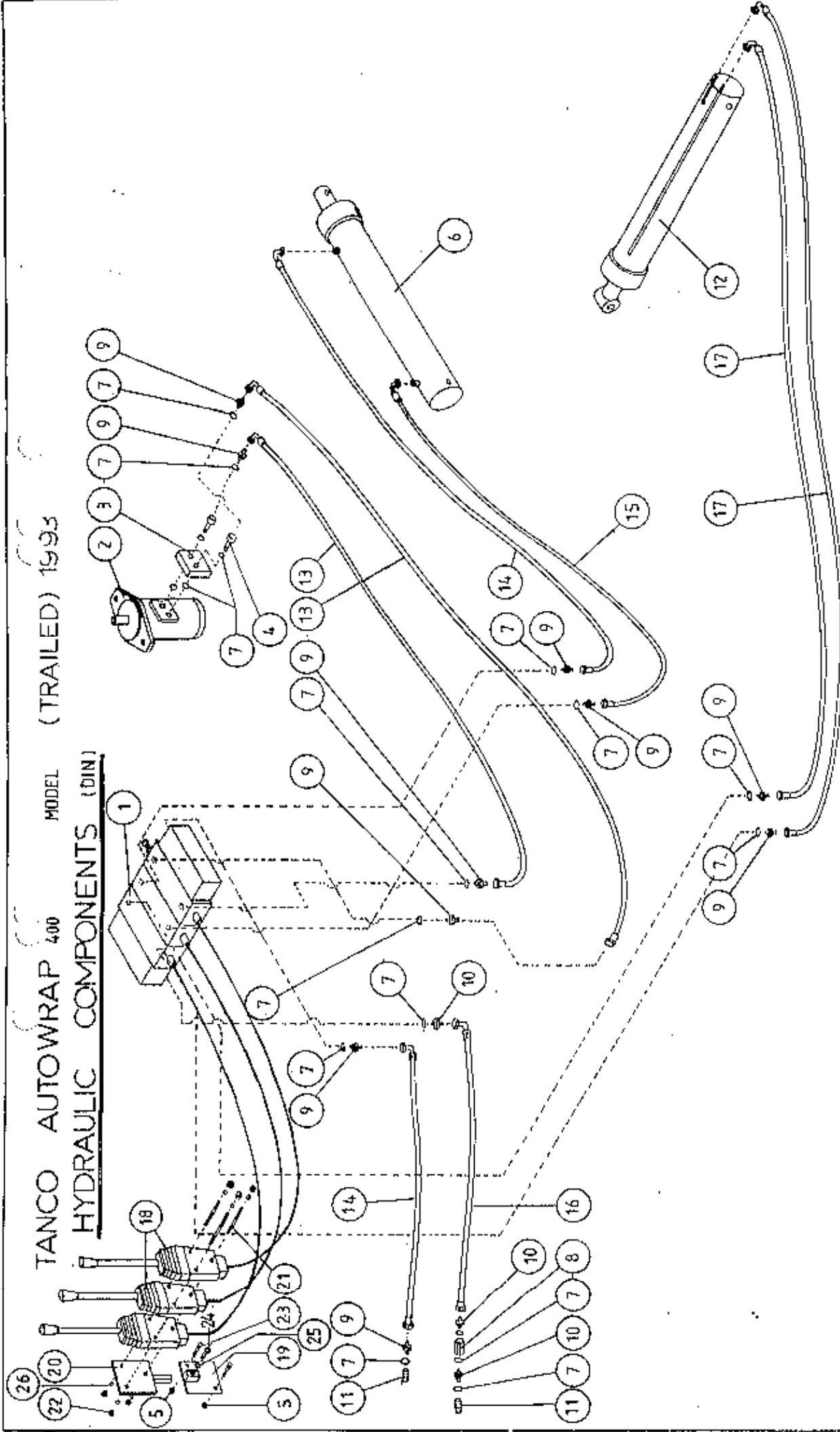
ENSURE THAT RELIEF VALVE ACTS ON RETURN LINE FROM HYD. MOTOR

NOTE:- When connected to a John Deere tractor, remove existing plugs marked 'P' from both ports on return plate and replace with closed centre plugs to convert valve to closed centre.
 The main pressure relief valve must then be adjusted to a Pressure setting higher than tractor main pressure relief valve.

TANCO AUTOWRAP 400 (TRAILED) 1995

MODEL

HYDRAULIC COMPONENTS (DIN)



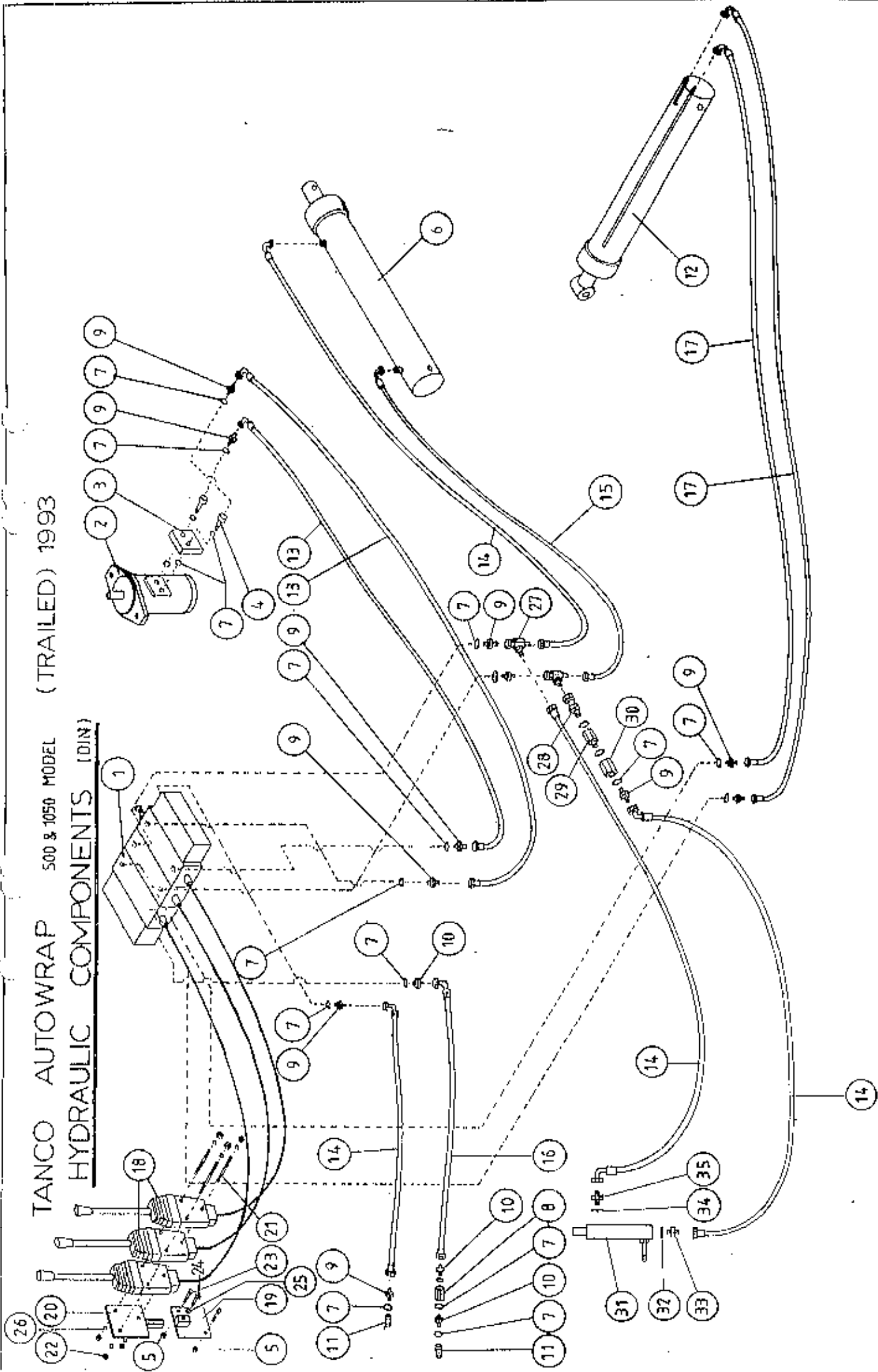
TANCO AUTOWRAP 400 MODEL (TRAILED) 1993HYDRAULIC COMPONENTS (DIN)PARTS LIST

<u>ITEM NO.</u>	<u>DESCRIPTION</u>	<u>QTY.</u>	<u>PART NO.</u>
1.	3 BANK SPOOL VALVE (DIN) C/W LEVERS	1	Z01-03-018D
2.	HYDRAULIC MOTOR (C.L.)	1	Z01-02-AR75
3.	CROSS LINE RELIEF VALVE	1	Z01-03-002
4.	1/2" BSP BOTTOM BANJO BOLT (SPECIAL)	2	
5.	M10 LOCKNUT	2	Z23-10
6.	HYD. RAM (FOR TIPPING FRAME)	1	Z01-01-AR687
7.	1/2" DOWTY WASHER	10	Z01-04-03
8.	1/2" NON RETURN VALVE	1	Z01-03-017
9.	1/2" x 3/8" ADAPTOR	10	Z01-06-06-08
10.	1/2" x 1/2" ADAPTOR	3	Z01-06-08-08
11.	1/2" MALE END Q/R COUPLING	2	Z01-15-081
12.	HYD. RAM (FOR LEFT ARM)	1	Z01-01-AR
13.	96" ST/90 3/8" D/W HOSE	2	Z38-R2-96-S9
14.	84" ST/90 3/8" D/W HOSE	2	Z38-R2-84-S9
15.	72" ST/90 3/8" D/W HOSE	1	Z38-R2-72-S9
16.	84" ST/90 1/2" S/W HOSE	1	Z12-R1-84-S9
17.	120" ST/90 3/8" D/W HOSE	2	Z38-R2-120S9
18.	3 1/2" METRE CABLE C/W ACTUATOR	3	Z004-03-0075 Z004-03-009 Z004-03-014
19.	ACTUATOR MFG. BRACKET BOTTOM HALF	1	WD60-AM03
20.	ACTUATOR MFG. BRACKET TOP HALF	1	WD60-AM07/WSP150
21.	TIE BOLT (M8 x 150mm LONG)	3	
22.	M8 HEX NUT	6	Z18-08
23.	M10 HEX HD. SETS x 40mm LONG	2	Z26-064G
24.	M12 HEX HD. SET X 30mm LONG	1	Z26-082S
25.	M12 HEX NUT	1	Z18-12
26.	8mm DIA SPRING WASHER	6	Z12-02-08

TANCO AUTOWRAP (TRAILED) 1993

500 & 1050 MODEL

HYDRAULIC COMPONENTS (DIN)



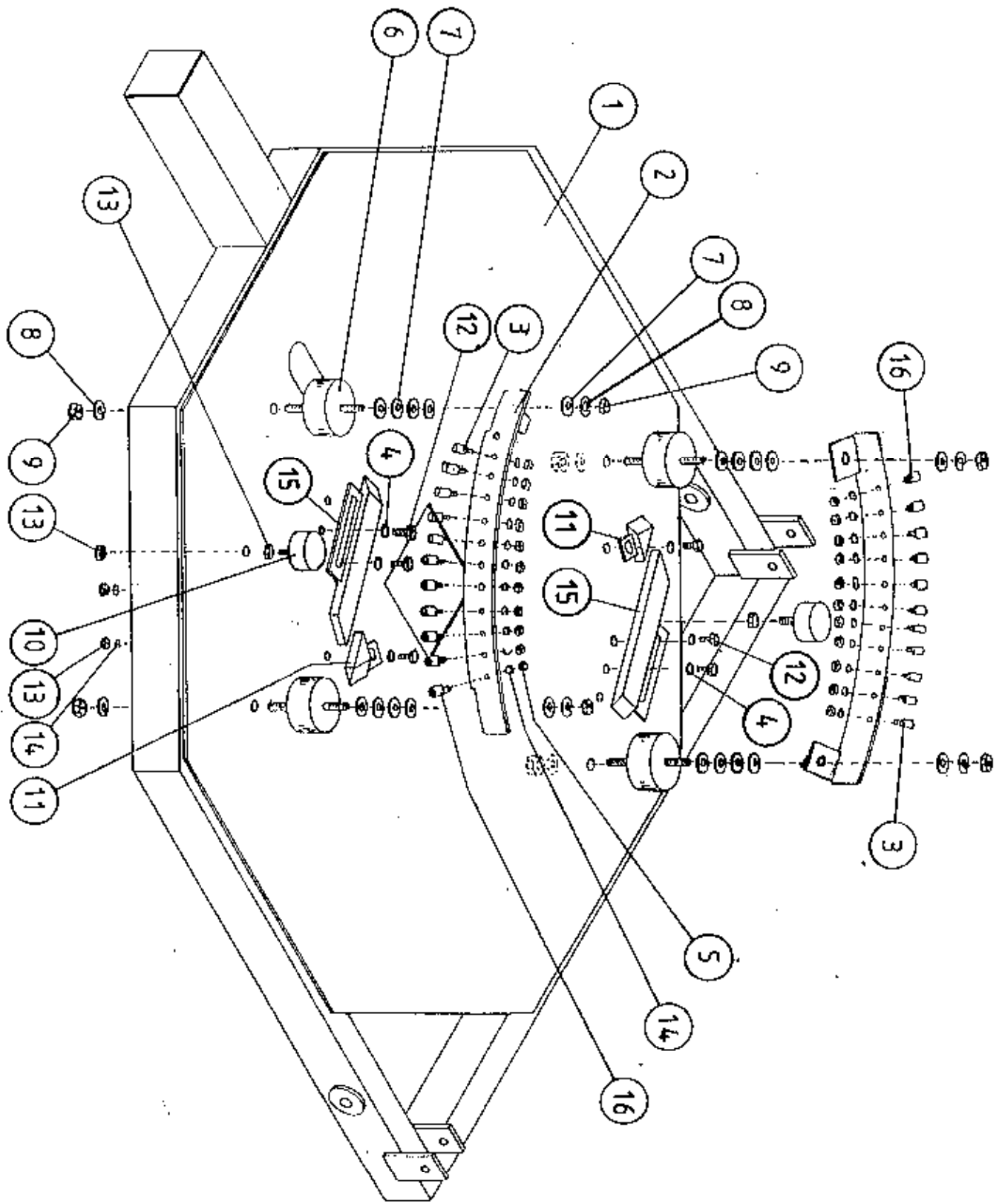
HYDRAULIC COMPONENTS (BTR)

PARTS LIST

<u>ITEM NO.</u>	<u>DESCRIPTION</u>	<u>QTY.</u>	<u>PART NO.</u>
1.	3 BANK SPOOL VALVE (DIN) C/W LEVERBS	1	Z01-03-0180
2.	HYDRAULIC MOTOR (C.G.)	1	Z01-02-AR75
3.	CROSS LINE RELIEF VALVE	1	Z01-03-002
4.	1/2" BSE BOTTOM BUSH BOLT (SPECIAL)	2	
5.	HYD LOCKNUT	2	Z23-10
6.	HYD. RAM (FOR WREPPING FRAME)	1	Z01-01-AR687
7.	1/2" DOWTY WASHER	21	Z01-04-03
8.	1/2" BSB RETURN VALVE	1	Z01-03-017
9.	1/2" x 3/8" ADAPTOR	11	Z01-06-06-00
10.	1/2" x 1/2" ADAPTOR	2	Z01-06-08-00
11.	1/2" FEMALE END O/R COUPLING	2	Z01-15-001
12.	HYD. RAM (FOR LEFT ARM)	1	Z01-01-AR
13.	96" ST/90 3/8" D/W HOSE	2	Z38-R2-96-59
14.	84" ST/90 3/8" D/W HOSE	4	Z38-R2-84-59
15.	72" ST/90 3/8" D/W HOSE	1	Z38-R2-72-59
16.	24" ST/90 1/2" S/W HOSE	1	Z12-R1-84-59
17.	120" ST/90 3/3" D/W HOSE	2	Z38-R2-12089
18.	3 1/2" METER CABLE C/W ACTUATOR	3	Z004-03-0075 Z004-03-009 Z004-03-014
19.	ACTUATOR MTG. BRACKET BOTTOM HALF	1	W060-AMB0
20.	ACTUATOR MTG. BRACKET TOP HALF	1	W060-AM37/W060150
21.	TIE BOLT (M8 x 150mm LONG)	3	
22.	M8 HEX NUT	6	Z18-08
23.	M10 HEX HD. SETS x 40mm LONG	2	Z26-0640
24.	M12 HEX HD. SET x 30mm LONG	1	Z26-0820
25.	M12 HEX NUT	1	Z18-12
26.	8mm DIA SPRING WASHER	6	Z12-02-08
27.	3/8" FEMALE x 1/2" MALE/MALE "T" PIECE	2	Z01-12-002
28.	3/8" FEMALE x 1/2" MALE ADAPTOR	1	Z01-05-06-00
29.	0.060 RESTRICTOR	1	Z01-03-40
30.	1/2" FEMALE x 1/2" FEMALE ADAPTOR	1	W160-120
31.	HYDRAULIC RAM D/A	1	Z01-01-AR25
32.	3/8" DOWTY WASHER	1	Z01-01-02
33.	3/8" x 3/8" ADAPTOR	1	Z01-06-06-00
34.	1/4" DOWTY WASHER	1	Z01-04-01
35.	1/4" x 3/8" ADAPTOR	1	Z01-06-04-00

TANCO AUTOWRAP 1993

INDEXING QUADRANT ASSY (50% OVERLAP WITH 750mm WIDE FILM ROLL)



TANCO AUTOWRAP 500S/500S 1993

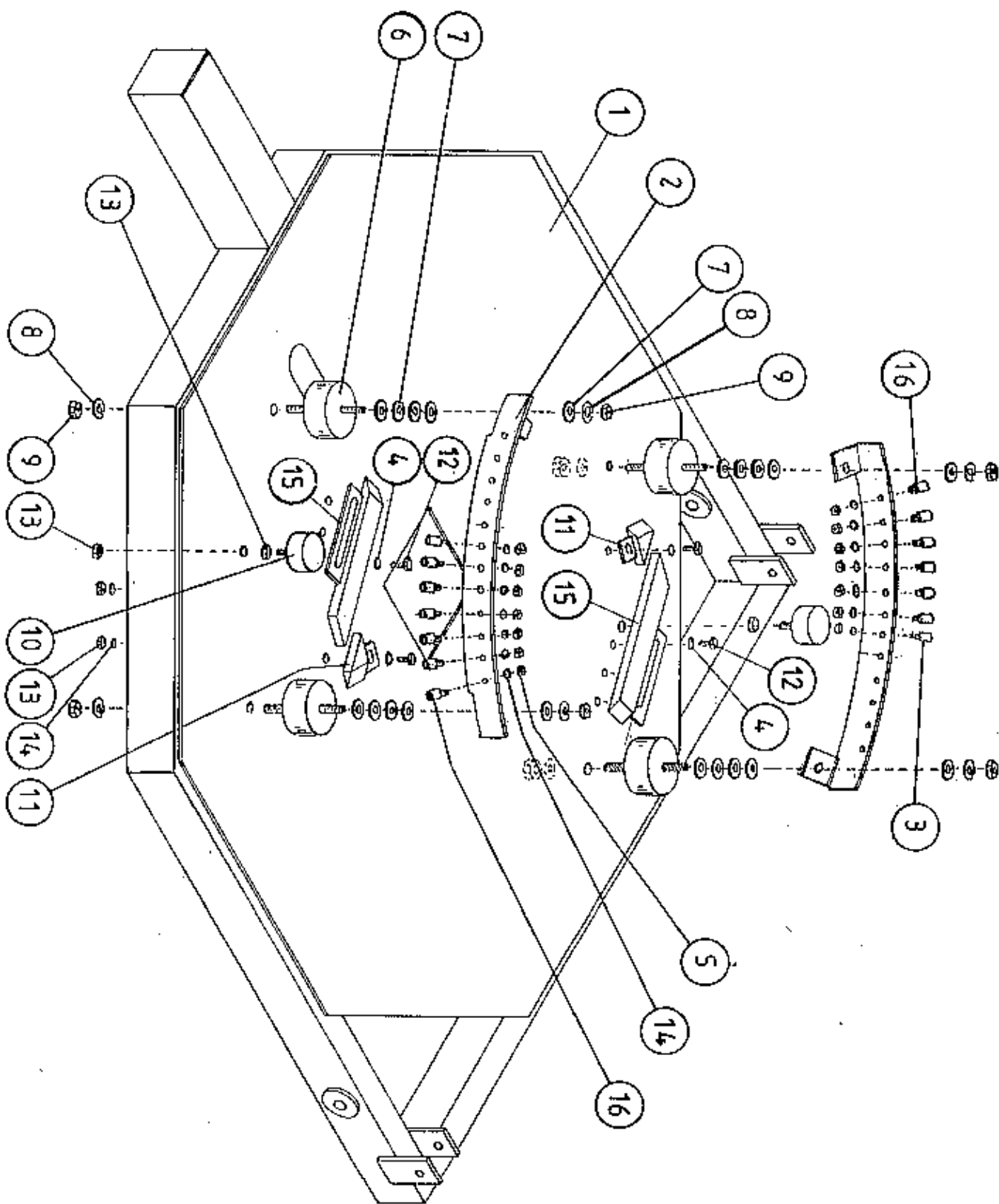
PARTS LIST

INDEXING QUADRANT ASSEMBLY (50% OVERLAP WITH 750MM WIDE FILM ROLL)

<u>ITEM NO.</u>	<u>DESCRIPTION</u>	<u>QTY.</u>	<u>PART NO</u>
1.	TIPPING FRAME ASSY.	1	WD60-TF
2.	QUADRANT ASSY.	2	WD60-QA
3.	3/4" DIA CAM FOLLOWER (HEAVY DUTY) C/W GREASE NIPPLE	20	Z06-425
4.	10mm DIA FLAT WASHERS	6	Z11-02-10
5.	3/8" UNF LOCKNUTS (BINX)	22	Z20-12
6.	RUBBER BUFFER 100mm DIA x 40mm LONG	4	Z40-22
7.	16mm DIA FLAT WASHERS	20	Z10-02-16
8.	16mm DIA SPRING WASHERS	8	Z12-02-16
9.	M16 HEX NUT	8	Z18-16
10.	RUBBER BUFFER 50mm DIA x 25mm LONG	2	Z40-23
11.	CAM ASSY (SHORT)	2	WD623-CAS
12.	M10 HEX HD SET x 30mm LONG	6	Z26-0625
13.	M10 HEX NUT	8	Z18-10
14.	10mm DIA SPRING WASHER	26	Z12-02-10
15.	CAM ASSY (LONG)	2	WD623-CAL
16.	1" DIA CAM FOLLOWER C/W GREASE NIPPLE	2	Z06-426

TANCO AUTOWRAP 1993

INDEXING QUADRANT ASSY (50% OVERLAP WITH 500mm WIDE FILM ROLL)

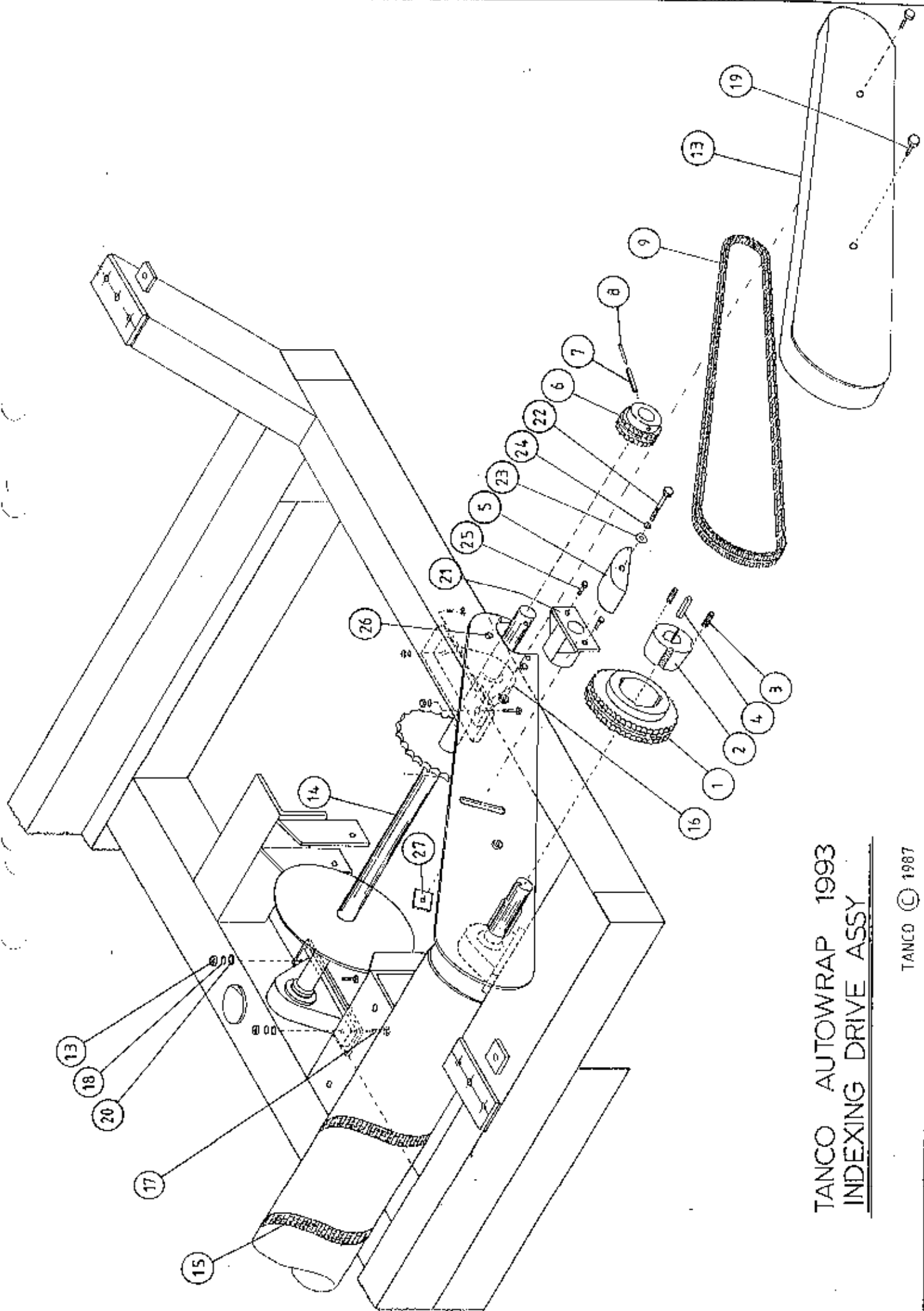


TANCO AUTOWRAP 400S/400A MODEL 1993

PARTS LIST

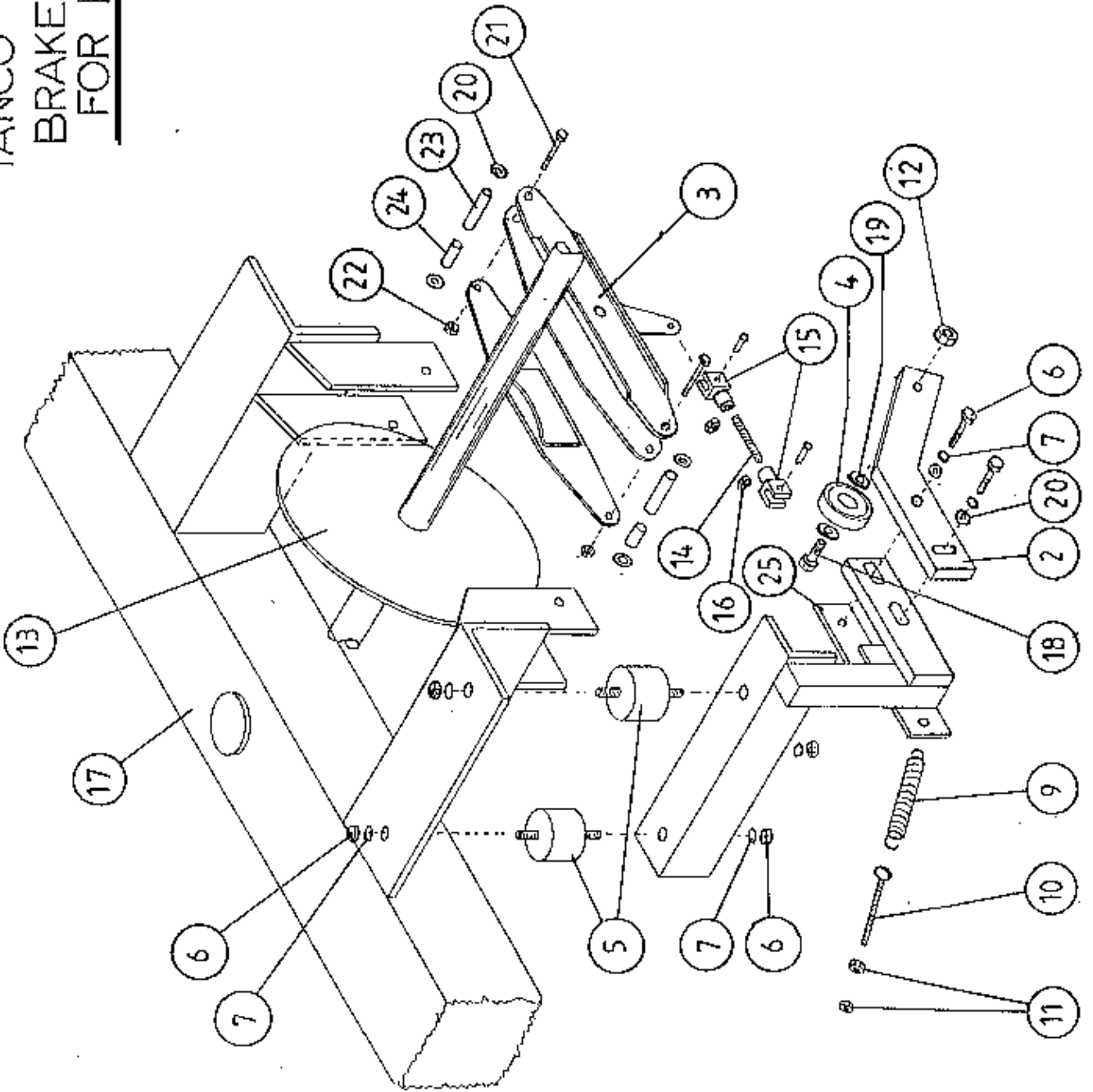
INDEXING QUADRANT ASSEMBLY (50% OVERLAP WITH 500MM WIDE FILM ROLL)

<u>ITEM NO.</u>	<u>DESCRIPTION</u>	<u>QTY.</u>	<u>PART NO.</u>
1.	TIPPING FRAME ASSY.	1	WD60-TF
2.	QUADRANT ASSY.	2	WD623-QA
3.	3/4" DIA CAM FOLLOWER (HEAVY DUTY) C/W GREASE NIPPLE	14	Z06-425
4.	10mm DIA FLAT WASHERS	3	Z11-02-10
5.	3/8" UNF LOCKNUTS (DJNX)	16	Z20-12
6.	RUBBER BUFFER 100mm DIA x 40mm LONG	2	Z40-22
7.	16mm DIA FLAT WASHERS	10	Z10-02-16
8.	16mm DIA SPRING WASHERS	4	Z12-02-16
9.	M16 HEX NUT	4	Z18-16
10.	RUBBER BUFFER 50mm DIA x 25mm LONG	1	Z40-23
11.	CAM ASSY (SHORT)	1	WD623-CAS
12.	M10 HEX HD SET x 30mm LONG	3	Z26-062S
13.	M10 HEX NUT	5	Z18-10
14.	10mm DIA SPRING WASHER	19	Z12-02-10
15.	CAM ASSY. (LONG)	1	WD623-CAL
16.	1" DIA CAM FOLLOWER C/W GREASE NIPPLE	2	Z06-426



TANCO AUTOWRAP 1993
INDEXING DRIVE ASSY

TANCO AUTOWRAP 1993
BRAKE ARRANGEMENT
FOR INDEXING SHAFT



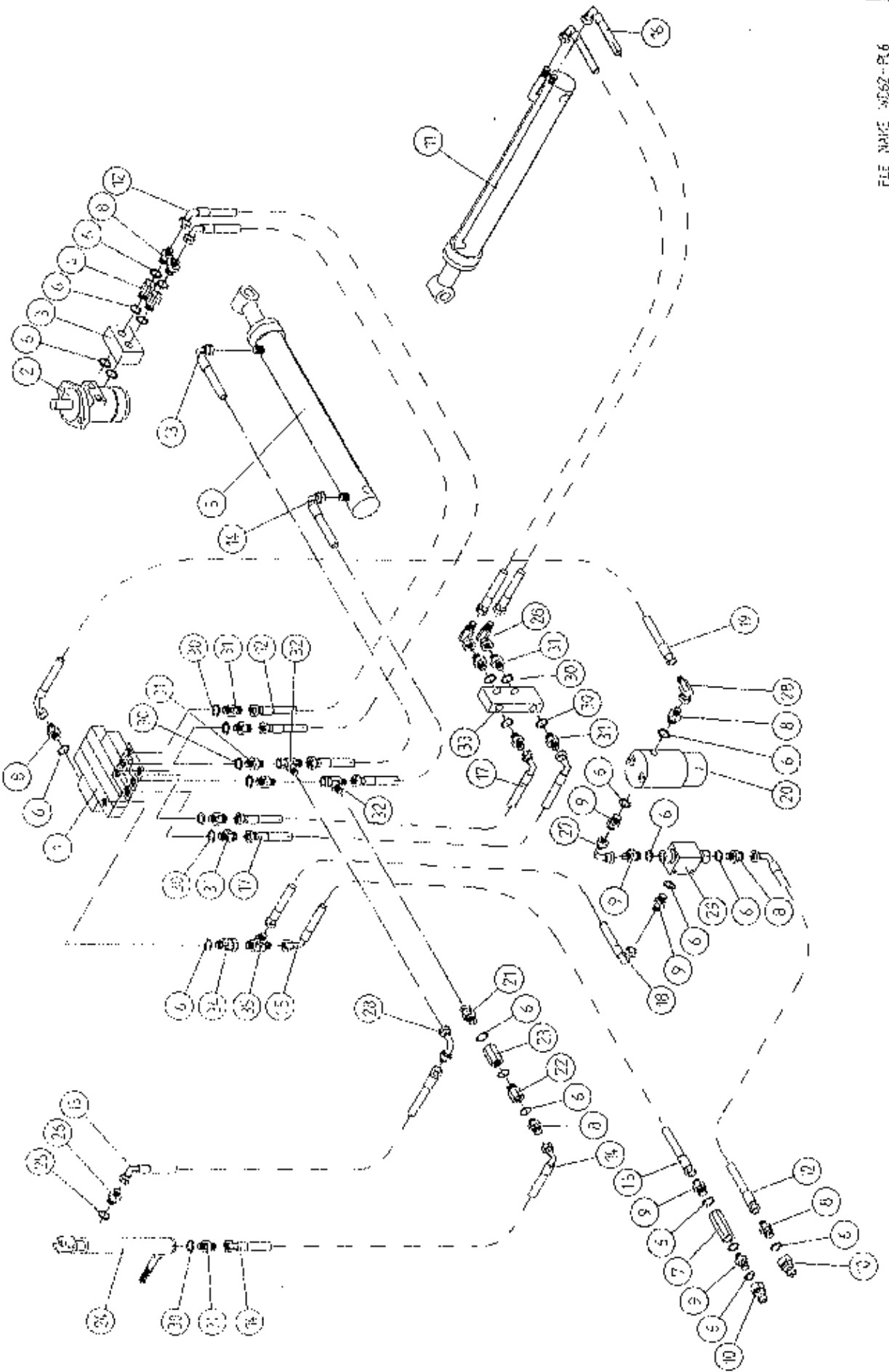
TANCO AUTOWRAP 1993

BRAKE ARRANGEMENT FOR INDEXING SHAF

PARTS LIST

<u>ITEM NO.</u>	<u>DESCRIPTION</u>	<u>QTY.</u>	<u>PART NO.</u>
1.	CAM FOLLOWER MOUNTING BRACKET (UPPER)	1	WD60-CFMB
2.	CAM FOLLOWER MOUNTING BRACKET (LOWER)	1	WD60-804
3.	CALIPER DISC BRAKE UNIT	1	Z49-92
4.	BALL BEARING (6301)	1	Z06-43
5.	RUBBER BUFFER 50mm DIA x 30 LONG TYPE A 57 SHORE	2	Z40-21
6.	M10 HEX NUTS	4	Z18-10
7.	10mm DIA SPRING WASHERS	6	Z12-02-10
8.	M10 HEX HD SET x 40 LONG	2	Z26-064S
9.	TENSION SPRING	1	Z07-05
10.	EYE BOLT (M8)	1	WD60-EB
11.	M8 HEX NUTS	2	Z18-08
12.	M12 LOCKNUT	1	Z23-12
13.	SPROCKET/SHAFT ASSY	1	WD65-SPR
14.	5/16" UNF TUREADED BAR x 90mm LONG	1	WD60-806
15.	5/16" UNF CLEVIS C/W PIN & CLIP	2	Z49-33
16.	5/16" UNF HEX NUT	2	Z15-05
17.	TURN TABLE	1	WD60-TA
18.	M12 HEX HD. SETS x 40mm LONG	1	Z26-084S
19.	12mm DIA FLAT WASHER	2	Z11-02-12
20.	10mm DIA FLAT WASHER	7	Z11-02-10
21.	3/8" UNF HEX HD. BOLT x 3" LONG	2	Z31B-102
22.	3/8" UNF LOCK NUT	2	Z15-06
23.	SPACER 1/2" O.D. x 13/32" I.D. x 1 1/2" LONG	2	
24.	SPACER 1/2" O.D. x 13/32" I.D. x 1/2" LONG	2	
25.	Clamping Plate		WD60-836

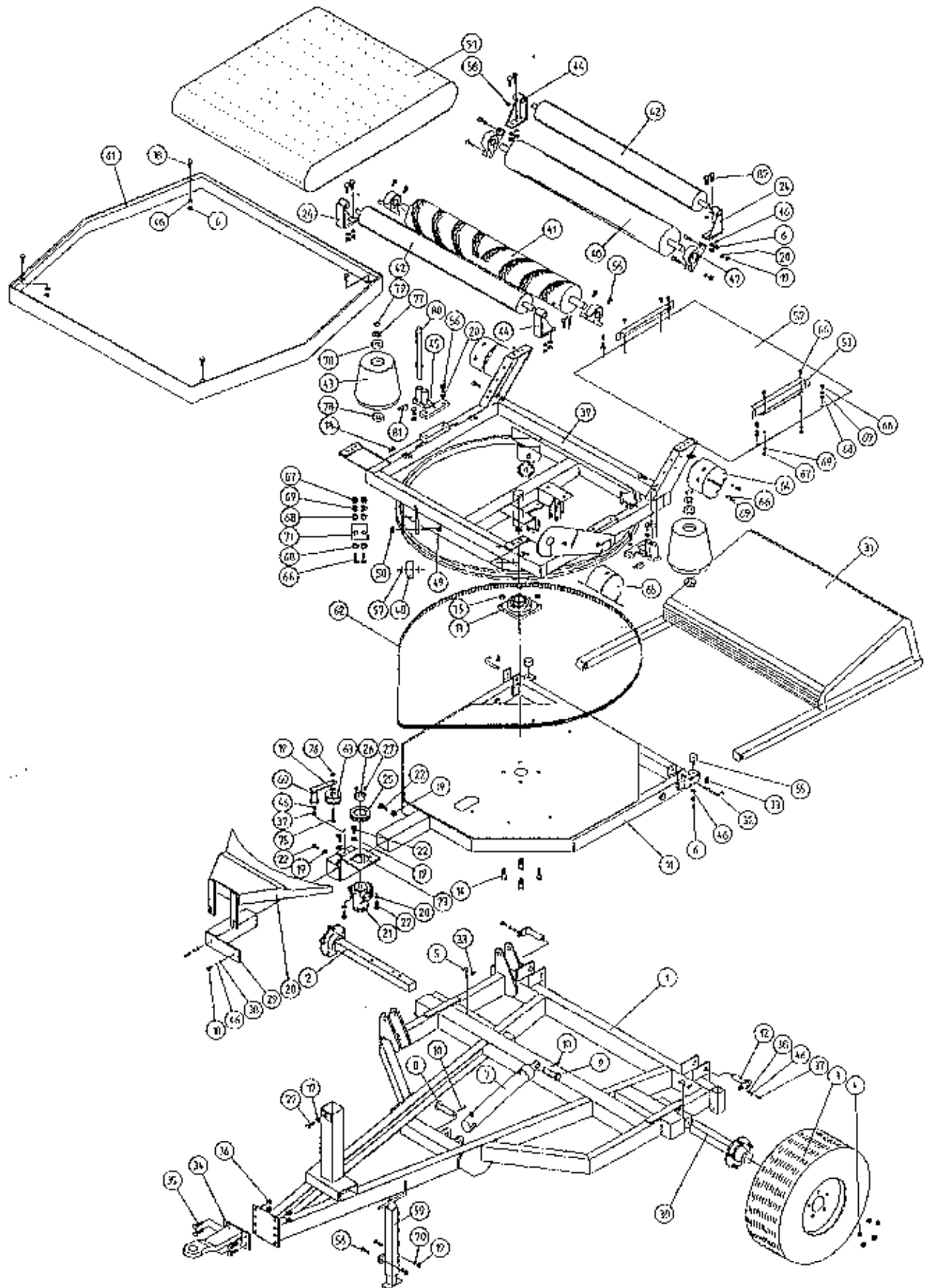
TANCO AUTOWRAP 7500 A/1050 A MODEL
HYDRAULIC COMPONENTS



TANCO AUTORSAP ~~300A/1050A~~ MODELS
HYDRAULIC COMPONENTS
PARTS LIST

ITEM NO.	DESCRIPTION	QTY.	PART NO.
1.	3 BANK SOLENOID VALVE	1	Z01-03-10-A3
2.	HYDRAULIC MOTOR C.L.	1	Z01-02-AR75
3.	CROSS LINE RELIEF VALVE	1	Z01-03-002
4.	1/2" B.S.P. BOTTOM BANJO BOLT (SPECIAL)	2	Z01-18-081
5.	HYDRAULIC RAM (TIPPING FRAME)	1	Z01-01-AR687
6.	1/2" DOWTY WASHER	15	Z01-04-03
7.	1/2" NON RETURN VALVE	1	Z01-03-017
8.	1/2" x 3/8" ADAPTOR	6	Z01-06-06-08
9.	1/2" x 1/2" ADAPTOR	5	Z01-06-08-08
10.	1/2" MALE END O/R COUPLING	2	Z01-15-081
11.	HYD. RAM (FOR LIFT ARM)	1	Z01-01-AR
12.	96" ST/90 3/8" D/W HOSE	3	Z38-R2-96-S9
13.	84" ST/90 3/8" D/W HOSE	2	Z38-R2-84-S9
14.	72" ST/90 3/8" D/W HOSE	2	Z38-R2-72-S9
15.	108" ST/90 1/2" D/W HOSE	1	Z12-R1-108-S9
16.	120" ST/90 3/8" D/W HOSE	2	Z38-R2-120S9
17.	24" ST/90 3/8" D/W HOSE	2	Z38-R2-24-S9
18.	24" ST/90 1/2" D/W HOSE	1	Z12-R1-24-S9
19.	30" ST/90 3/8" D/W HOSE	1	Z38-R2-30-S9
20.	FILTER	1	Z01-24-08
21.	3/8" FEMALE X 1/2" MALE ADAPTOR	1	Z01-05-06-08
22.	0.060 RESTRICTOR	1	Z01-03-40
23.	1/2" FEMALE/FEMALE ADAPTOR	1	W160-120
24.	HYD. RAM D/A (PULL DOWN ARM)	1	Z01-01-AR25
25.	1/4" DOWTY WASHER	1	Z01-04-01
26.	1/4" x 3/8" ADAPTOR	1	Z01-06-04-06
27.	1/2" FEMALE x 1/2" FEMALE 90 ELBOW	1	Z01-14-018
28.	3/8" MALE/FEMALE 90 ELBOW	4	Z01-14-015
29.	IN LINE FLOW DIVIDER	1	Z01-03-10-A7
30.	3/8" DOWTY WASHER	15	Z01-04-02
31.	3/8" x 3/8" ADAPTOR	11	Z01-06-06-06
32.	3/8" MALE x 3/8" MALE x 3/8" FEMALE "T" PIECE	2	Z01-12-002
33.	OVER CENTRE VALVE	1	Z01-03-08-08
34.	1/2" MALE x 1/2" FEMALE	1	Z01-05-08-08
35.	1/2" MALE "T" PIECE	1	Z01-11-003

TANCO AUTOWRAP 400/500 MODEL 1993



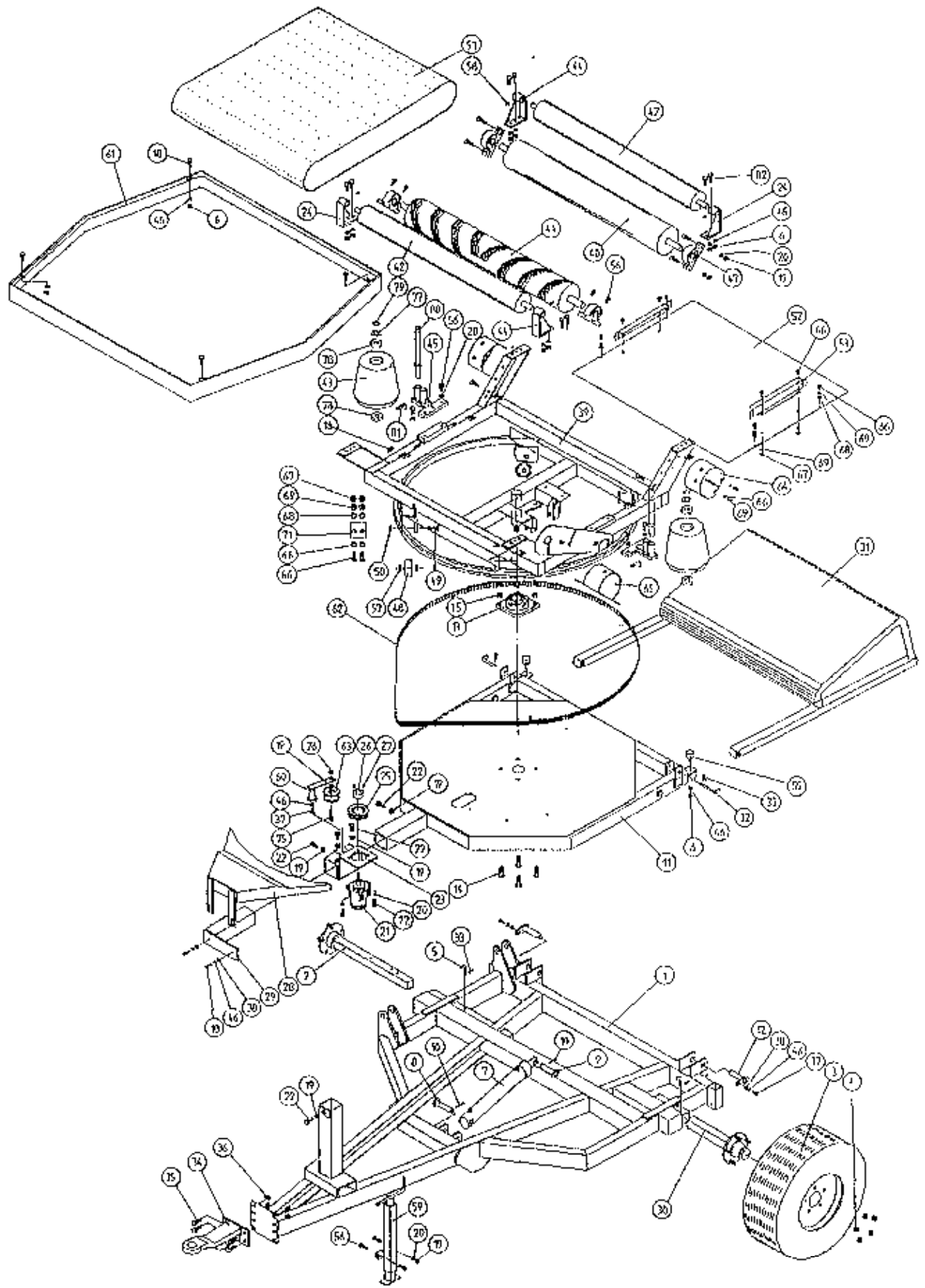
FILE NAME WJ60 PL.6

TANCO AUTOWRAP 400S/500S MODEL (TRAILED) 1993

PARTS LIST

<u>ITEM NO.</u>	<u>DESCRIPTION</u>	<u>QTY.</u>	<u>PART NO.</u>
1.	CHASSIS ASSY	1	WD60-C11A
2.	STUB AXLE (LONG)	1	Z04-033
3.	WHEELS	2	Z04-03
4.	WHEEL NUTS	10	Z04-0331
5.	BISSEL PIN	2	Z03-22-AW82
6.	M10 HEX NUT	18	Z18-10
7.	HYD. RAM	1	Z01-01-AR687
8.	RAM BOTTOM PIVOT PIN	1	Z03-02-330
9.	RAM TOP PIVOT PIN	1	Z03-03-50
10.	2" X 1/4" SPLIT PIN	2	Z03-21-29
11.	TIPPING FRAME ASSY.	1	WD60-TF
12.	TIPPING FRAME PIVOT PIN C/W GREASE NIPPLE	2	Z03-01-905 Z39-60
13.	2" DIA FLANGE BEARING	1	Z06-49
14.	5/8" UNF HEX HD.SET x 2" LONG	4	Z30B-064
15.	5/8" UNF LOCKNUTS	4	Z20-10
18.	M10 HEX HD SET x 30mm LONG	10	Z26-062S
19.	M12 HEX NUT	16	Z18-12
20.	12mm DIA SPRING WASHER	14	Z12-02-12
21.	HYD.MOTOR C.L.	1	Z01-02-AR75
22.	M12 HEX HD SETS x 30mm LONG	7	Z26-082S
23.	HYD. MOTOR MOUNTING ASSY.	1	WD60-HMB
24.	ROLLER MOUNTING BRACKET	2	WD60-TRMBL
25.	4"DIA x 1/2" PITCH TOOTHED PULLEY	1	Z09-005-AW1
26.	TAPER LOCK BUSH TO SUIT 1" DIA SHAFT	1	Z09-005-AW2
27.	M10 STUDS x 15mm	2	Z28-01
28.	HYD. MOTOR GUARD ASSY	1	WD60-HMG
29.	HYDRAULIC MOTOR GUARD MOUNTING BRACKET	1	WD60-HAMB
30.	STUB AXLE (SHORT)	1	Z04-032
31.	BALE RAMP ASSY	1	WD60-BR
32.	BISSEL PIN	2	Z03-22-AW100
33.	4mm "R" CLIP	3	Z36-02

TANCO AUTOWRAP 400/500 MODEL 1993

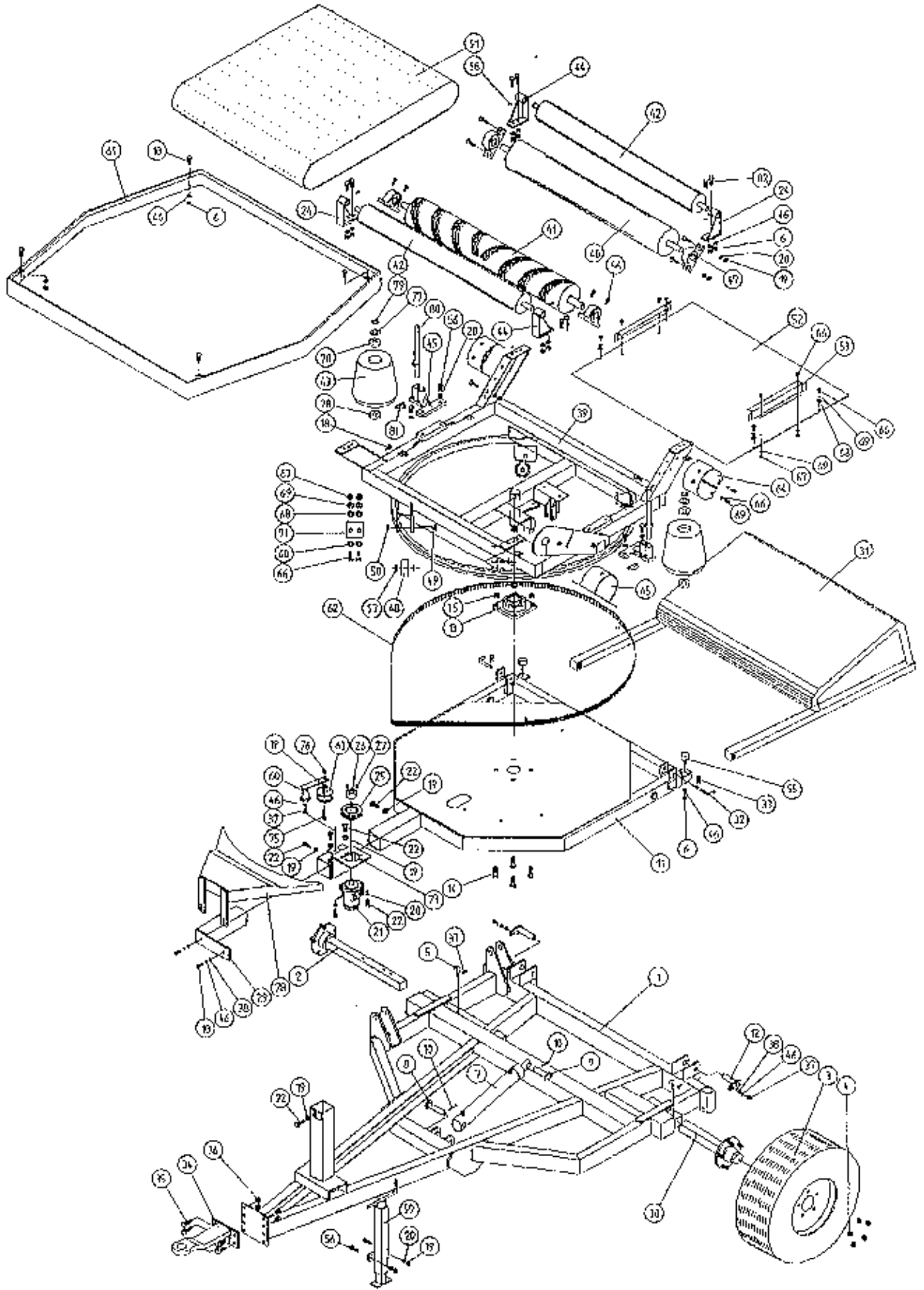


FILE NAME W1360 PL 6

PARTS LIST

<u>ITEM NO.</u>	<u>DESCRIPTION</u>	<u>QTY.</u>	<u>PART NO.</u>
34.	HITCH ASSY.	1	WD65-HIT
35.	M16 HEX HD. SPT x 45mm LONG	4	Z26-1238
36.	M16 LOCKNUTS	4	Z23-16
37.	M10 HEX HD. SPT x 25mm LONG (TOPLOCK)	3	Z265-061
38.	10mm DIA MACHINED FLAT WASHER	4	Z11-02-10
39.	TURN TABLE ASSY.	1	WD60-TA
40.	BIG ROLLER ASSY. IDLER	1	WD65-BR1
41.	BIG ROLLER ASSY. DRIVER	1	WD65-BRD
42.	SMALL ROLLER ASSY.	2	WD60-SMR
43.	SLIDE ROLLER	2	Z06-AWR
44.	ROLLER HPG. BRACKET	3	WD60-PRHBR
45.	END ROLLER MOUNTING BRACKET	2	WD60-PRM
46.	10mm DIA SPRING WASHERS	23	Z12-02-10
47.	1/4" PILLOW BLOCK BEARING C/W 1/2" DIA COLLAR	4	Z06-485
48.	SUPPORT WHEELS (4" DIA)	4	Z06-486
49.	AXLE ASSY. C/W GREASE NIPPLE	4	Z03-22-AW/AX Z39-60
50.	M20 LOCKNUTS	4	Z23-20
51.	3 METER WIDE x 99 1/2" LONG x 1/4" FLAT BELT	1	Z05-02-ANV
52.	TURN TABLE COVER PLATE	1	WD60-093
53.	BELT GUIDE ASSY.	2	WD625-BG
55.	BUFFER 50mm DIA x 40mm LONG	2	Z40-20
56.	M10 HEX HD. SPTS x 40mm LONG	14	Z265-084
57.	SPACER	5	WD60-198
58.	1/8" B.S.P. 80 GREASE NIPPLE	4	Z39-60
59.	SCREW JACK ASSEMBLY	1	WD60-JA
60.	ROCKA TENSIONING UNIT ARM	1	Z06-454
61.	MAIN GUARD ASSY.	1	WD60-MG
62.	170" LONG x 1/2 PITCH x 1" WIDE TOOTHED BELT	1	Z05-02-AW2
63.	STEPPED ROLLER C/W BEARINGS	1	Z06-456

TANCO AUTOWRAP 400/500 MODEL. 1993



FILE NAME WD60.PL 6

TANCO AUTOWRAP 400S/500S MODEL (TRAILED) 1993

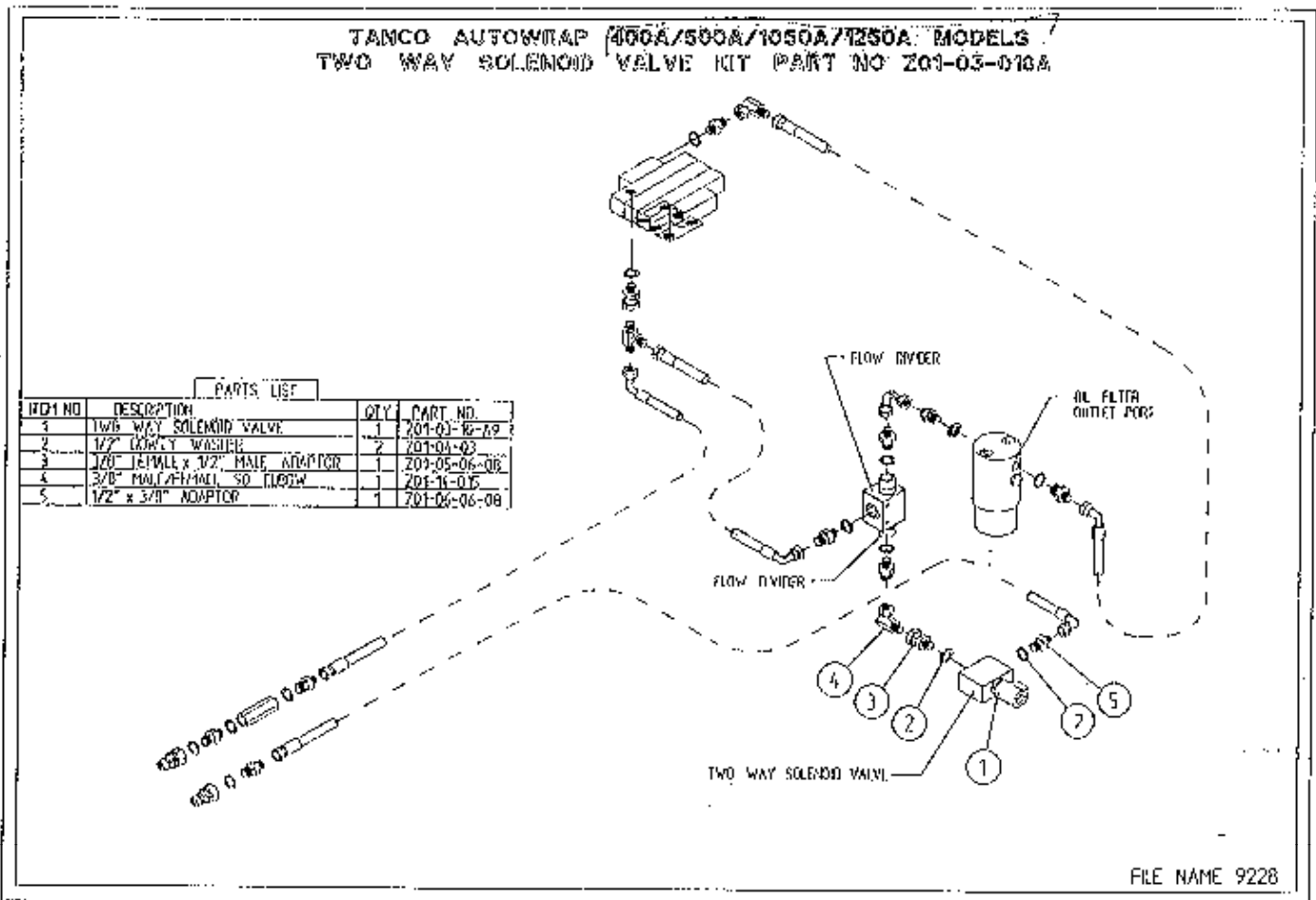
PARTS LIST

<u>ITEM NO.</u>	<u>DESCRIPTION</u>	<u>QTY.</u>	<u>PART NO.</u>
64.	GRASS GUARD (CLOSED TYPE)	3	249-98
65.	GRASS GUARD (OPEN TYPE)	1	249-981
66.	M8 HEX HD SETS x 20mm LONG	20	226-039S
67.	M8 HEX NUTS	14	218-08
68.	8mm DIA FLAT WASHERS (MUD FLAP)	20	211-02-081
69.	8mm DIA SPRING WASHERS	20	212-02-08
71.	SCRAPER	2	WD60-70S
74	SPACER	1	218-12
75.	M10 HEX HD BOLT x 60mm LONG	3	226-067B
76.	M10 LOCKNUT	1	223-10
77.	THRUST WASHER	2	WD60-292
78.	BEARING (25mm I.D.)	4	206-433
79.	CIRCLIP	2	229-75
80.	ROLLER SHAFT ASSEMBLY	2	WD60-35A
81.	10mm "D" PINN PINS	2	233-03
82.	M10 HEX HD SET x 35mm LONG	8	226-063S

INSTRUCTIONS FOR FITTING TWO WAY SOLENOID VALVE TO TANCO AUTOWRAP MODELS 400A, 500A, 1050A, 1250A

REQUIRED WHEN OPERATING MACHINES ON TRACTORS WITH CLOSED CENTRE HYDRAULIC SYSTEMS.

1. Disconnect St/90 hose from inlet port on flow divider
2. Connect port "A" on solenoid valve assembly to inlet port on flow divider.
3. Reconnect St/90 hose to port "P" on solenoid valve.
4. Connect 2 pin female connector to existing 2 pin connector at junction box.
5. Change the seventh controller function setting from n to J. See instruction manual for further information.



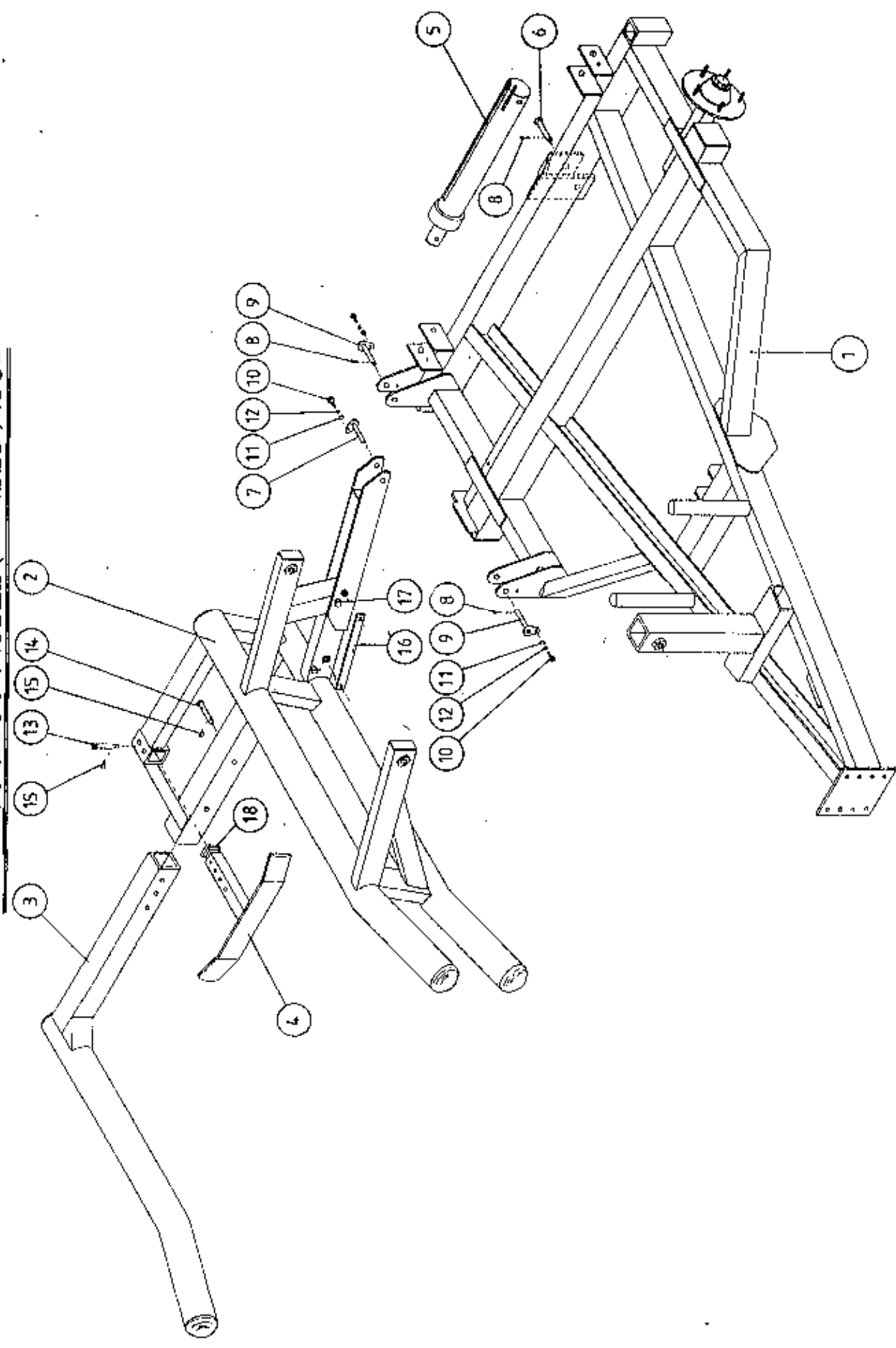
~~STANCO AUTOWRAP 100A/500A/1050A MODELS~~

ELECTRICAL COMPONENTS

PARTS LIST

ITEM NO.	DESCRIPTION	QTY	PART NO.
1	Control Box	1	D606
2	Junction Box (3 Bank Valve)	1	ZDG-JB3
3	Loom For Valve c/w Birschman	1	ZD606-082
4	System Pressure Lead	1	ZD606-070
5	Warner Linear Actuator	1	ZD605-510
6	1 1/4" Fuse Holder	1	ZD606-100
7	Main Fly Lead for Controller	1	ZD606-060
8	Slip Ring Assy.	1	ZD605-308
9	Brushes	1	ZD605-306
10	7 Core Cable c/w Hearting Plug	1	ZD605-7C
11	24 Core Interconnecting Lead c/w Connectors	1	D605-24C
12	24 Core Fly Lead c/w Connectors	1	ZD606-020
13	Rotating Sensor	1	ZD606-RS
14	Tip Sensor	1	ZD606-TS
15	Two Core Cable for Slip Ring	1	ZD605-02C
16	Main Battery Lead for Controller	1	ZD606-030
17	In-Line Fuse	3	ZD606-100
18	Main Battery Lead for Junction Box	1	ZD606-040
19	Main Lead for Junction Box	1	ZD606-050
20	Lift Arm Sensor.	1	ZD606-LAS

TANCO AUTOWRAP LIFT ARM & CHASSIS
 400 & 500 MODEL (TRAILED) 1993



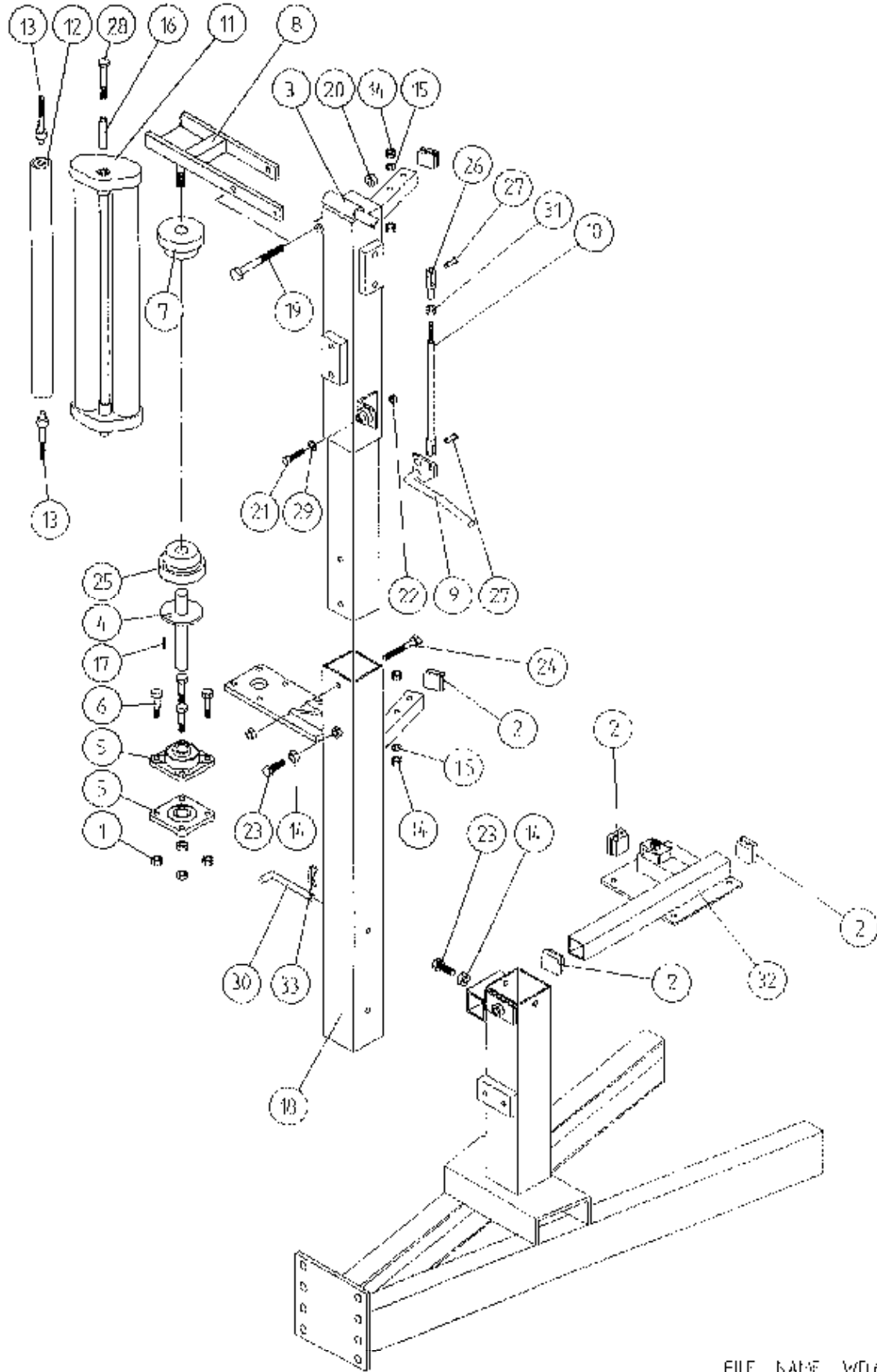
PANCO AUTOGRAPH 400/500 MODEL (TRAILED) 1993

PARTS LIST

LIFT ARM AND CHASSIS

<u>ITEM NO.</u>	<u>DESCRIPTION</u>	<u>QTY.</u>	<u>PART NO.</u>
1.	CHASSIS ASSEMBLY	1	WD60-CHA
2.	LIFT ARM ASSEMBLY	1	WD60-LA
3.	ADJUSTABLE OUTER ARM ASSY.	1	WD60-LAA
4.	ADJUSTABLE RAKE STOP	1	WD60-LARS
5.	HYDRAULIC RAKE (LIFT ARM)	1	Z01-01-AR
6.	RAKE BOTTOM PIVOT PIN	1	Z03-02-330
7.	RAKE TOP PIVOT PIN	1	Z03-01-707
8.	2" x 1/4" SPLICE PINS	3	Z03-21-20
9.	LIFT ARM PIVOT CAN GREASE NUTS	2	Z03-01-905
10.	M10 HEX HD NUT x 25mm LONG (W/LOCK)	3	Z265-041
11.	10mm DIA MACHINED FLAT WASHER	3	Z11-02-10
12.	10mm DIA SPRING WASHER	3	Z12-02-10
13.	SPAREX PIN	1	Z03-04-73
14.	SPAREX PIN	1	Z03-04-77
15.	7/16" DIA LINCH PINS	2	Z03-22-06
16.	SAFETY SUPPORT BAR	1	WD60-319
17.	6mm DIA LINCH PIN	2	Z03-22-03
18.	PLASTIC CAP	1	Z32-10

TANCO AUTOWRAP 400 MODEL (TRAILED) 1983
 FILM DISPENSER SYSTEM



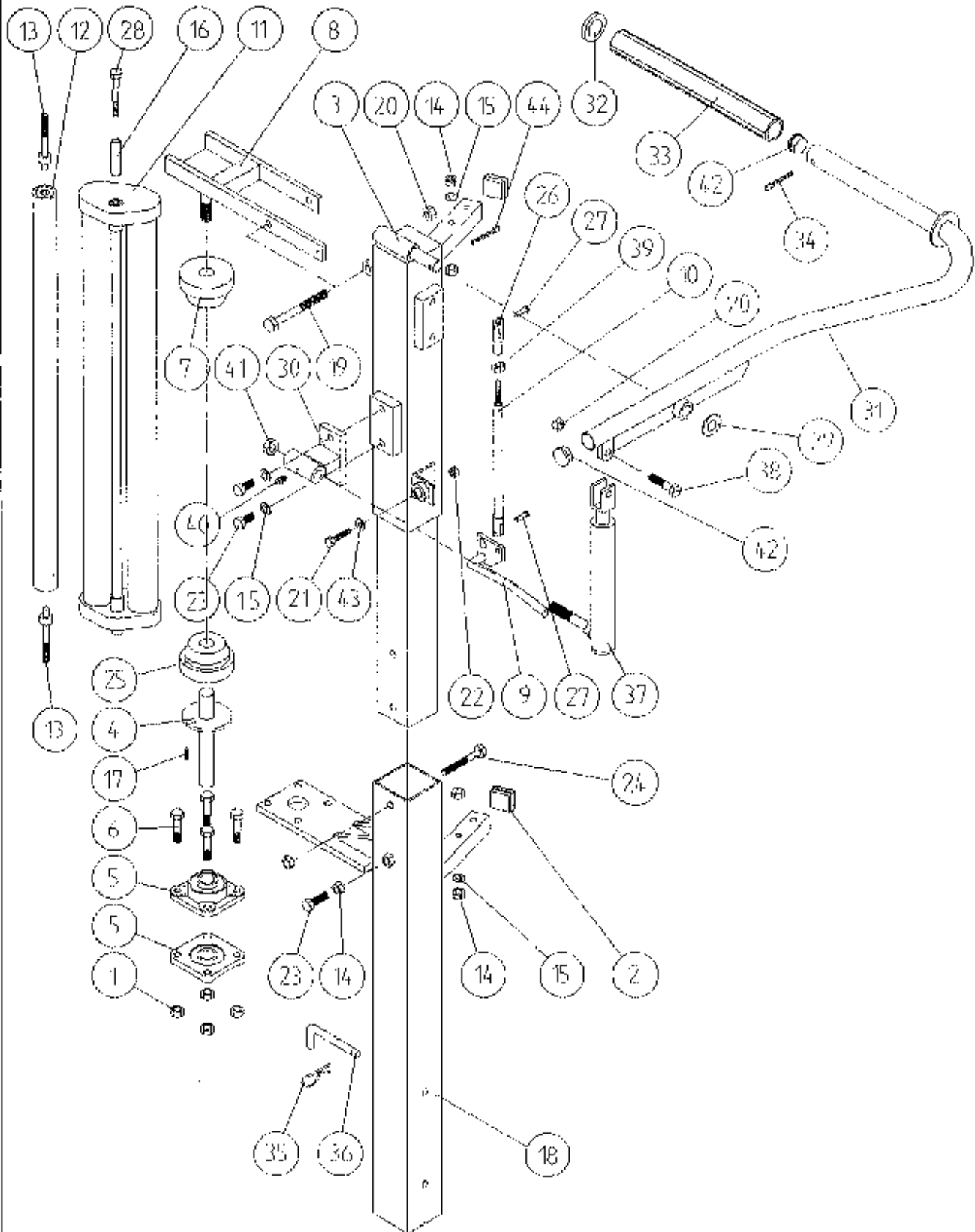
FILE NAME WD69 P.11

FILM DISPENSING SYSTEM

PARTS LIST

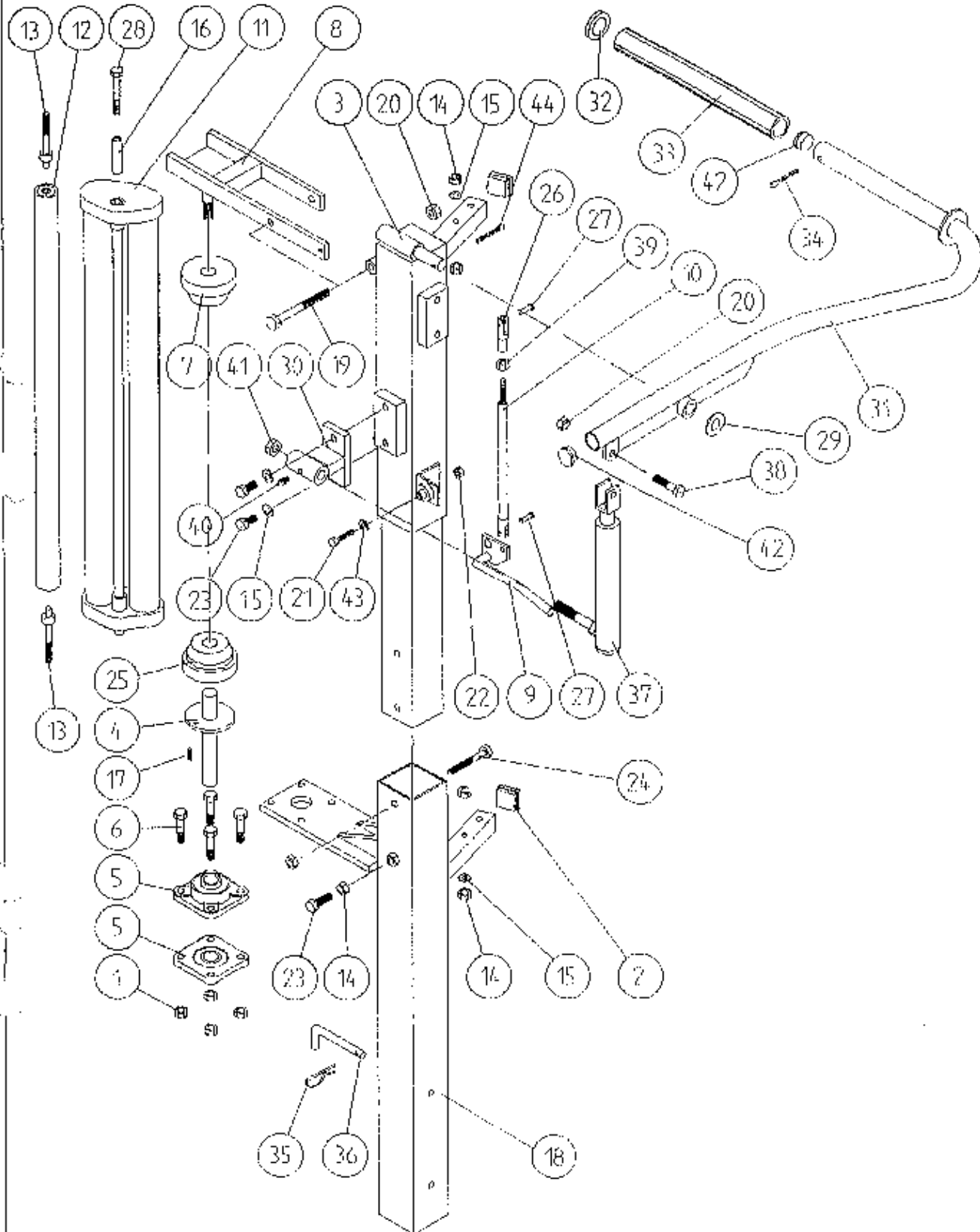
<u>ITEM NO.</u>	<u>DESCRIPTION</u>	<u>QTY.</u>	<u>PART NO.</u>
1.	M10 LOCKNUTS	4	Z23-10
2.	PLASTIC CAPS (TO SUIT 40 x 40 x 3 RHS)	5	Z32-07
3.	DISPENSER MOUNTING (UPPER)	1	WD60-DMUM
4.	FILM SPOOL ASSEMBLY	1	WD60-SPO
5.	1" DIA FLANGE BEARING	2	Z06-48
6.	M10 HEX HD. BOLT x 50mm LONG	4	Z26-066B
7.	CONE (TOP) C/W BALL BEARINGS	1	Z06-45-01
8.	CLAMP ASSEMBLY	1	WD60-DMCA
9.	LEVER ASSEMBLY	1	WD60-DMLA
10.	LINK ASSEMBLY	1	WD60-DMLK
11.	FILM DISPENSER UNIT MK 6	1	D613
12.	SLAVE ROLLER ASSY (PLASTIC COATED)	1	WD60-SLR
13.	SLAVE ROLLER PIVOT	2	WD60-253
14.	M12 HEX NUTS	6	Z18-12
15.	12mm DIA SPRING WASHER	2	Z12-02-12
16.	SPOOL VALVE MOUNTING PLATE ASSEMBLY	1	WD60-SUMP
17.	1/4" DIA TENSION PIN x 3/4" LONG	1	Z03-20-062
18.	DISPENSER MOUNTING (LOWER)	1	WD60-DMLM
19.	M12 HEX HD BOLT x 130mm LONG	1	Z26-094B
20.	M12 LOCKNUT	3	Z23-12
21.	M8 HEX HD BOLT x 35mm LONG	1	Z26-042S
22.	M8 LOCKNUT	1	Z23-08
23.	M12 HEX HD SET x 30mm LONG	2	Z26-082S
24.	M12 HEX HD BOLT x 100mm LONG	1	Z26-092B
25.	CONE (BOTTOM)	1	Z06-45-02
26.	CLEVIS (M10)	1	Z49-336
27.	PIN (5/16" DIA) C/W CLIP	2	Z49-337
28.	M10 HEX HD. BOLT x 80MM LONG 1	1	Z26-0691B
29.	8MM DIA MUD FLAP WASHER	1	Z11-02-081
30.	RISSEL PIN x 110MM LONG	1	WD60-B74
31.	5/16" UNF HEX NUT	1	Z15-05
32.	SPOOL VALVE MOUNTING	1	WD65-VMP
33.	4MM 'R' CLIP	1	Z36-02

TANCO AUTOWRAP 500 MODEL 1993
FILM DISPENSER SYSTEM



FILE NAME WD 625 - P.7

TANCO AUTOWRAP 500 MODEL 1993 FILM DISPENSER SYSTEM



FILE NAME WU 625 - PL7

TANCO AUTOWRAP 500 MODEL (TRAILED) 1993

FILM DISPENSING SYSTEM

PARTS LIST

<u>ITEM NO.</u>	<u>DESCRIPTION</u>	<u>QTY.</u>	<u>PART NO.</u>
1.	M10 LOCKNUTS	4	Z23-10
2.	PLASTIC CAPS (TO SUIT 40 x 40 x 3 RHS)	2	Z32-07
3.	DISPENSER MOUNTING (UPPER)	1	WD60-DMUM
4.	FILM SPOOL ASSEMBLY	1	WD60-SPO
5.	1" DIA FLANGE BEARING	2	Z06-48
6.	M10 HEX HD. BOLT x 50mm LONG	4	Z26-066B
7.	CONE (TOP) C/W BALL BEARINGS	1	Z06-45-01
8.	CLAMP ASSEMBLY	1	WD60-DMCA
9.	LEVER ASSEMBLY	1	WD60-DMLA
10.	LINK ASSEMBLY	1	WD60-DMLK
11.	FILM DISPENSER UNIT MK 6	1	D613
12.	SLAVE ROLLER ASSY (PLASTIC CONTACT)	1	WD60-SLR
13.	SLAVE ROLLER PIVOT	2	WD60-253
14.	M12 HEX NUTS	5	Z18-12
15.	12mm DIA SPRING WASHER	2	Z12-02-12
16.	SLEEVE	1	
17.	1/4" DIA TENSION PIN x 3/4" LONG	1	Z03-20-062
18.	DISPENSER MOUNTING (LOWER)	1	WD60-DMLM
19.	M12 HEX HD BOLT x 130mm LONG	1	Z26-094B
20.	M12 LOCKNUT	3	Z23-12
21.	M8 HEX HD BOLT x 35mm LONG	1	Z26-042S
22.	M8 LOCKNUT	1	Z23-08
23.	M12 HEX HD SET x 30mm LONG	3	Z26-082S
24.	M12 HEX HD BOLT x 100mm LONG	1	Z26-092B
25.	CONE (BOTTOM)	1	Z06-45-02
26.	CLEVIS (M10)	1	Z49-336
27.	PIN (5/16" DIA) C/W CLIP	2	Z49-337
28.	M10 HEX HD. BOLT X 80MM LONG	1	Z26-0691B
29.	3/4" DIA FLAT WASHER	1	Z10-02-19
30.	FILM PULL DOWN BRACKET ASSY	1	WD65-FPDR
31.	FILM PULL DOWN ARM ASSY	1	WD65-FPDA
32.	RETAINING WASHER	1	WD60-859
33.	Roller	1	WD60-866
34.	2" x 1/4" SPLIT PIN	1	Z01-23-29
35.	4mm "R" CLIP	1	Z36-02
36.	BISSEL PIN (110mm LONG)	1	WD60-874
37.	HYDRAULIC RAM	1	Z01-01-AW25
38.	M12 HEX HD. SET X 50mm LONG	1	Z26-086S
39.	5/16" UNF HEX NUT	1	Z15-05

40.	1/8" BSP ST. GREASE NIPPLE	1	Z39-60
41.	M16 Locknut	1	Z23-16
42.	1" GB Plastic Cap	2	Z32-14
43.	8mm Dia Mud Flap Washer	1	Z11-02-081
44.	1 1/2" x 3/16" Split Pin	1	Z03-20-05

2
3
22
2